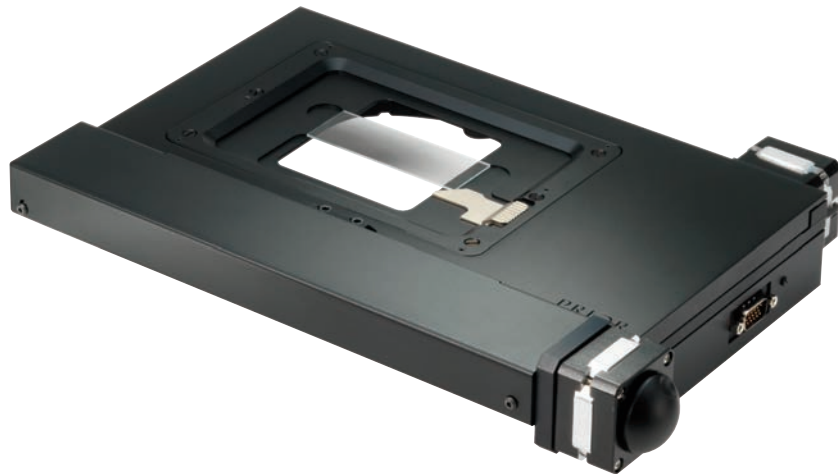


ES111 OptiScan™ Upright Stage

125mm x 75mm Travel, Upright Microscope Stage for Transmitted and Reflected Light Applications



The ES111 OptiScan™ stage for upright microscopes provides the ideal platform for a variety of micropositioning applications. Compatible with virtually all upright microscopes, the ES111 offers unprecedented levels of flexibility. The ES111 is the perfect choice for researchers who require a precision motorized stage but don't require the superior levels of precision provided by a Prior ProScan™ series stage.

The ES111 is designed to utilize Prior's complete range of specimen holders including glass slides, multi-well plates, petri-dishes and polished metallurgical samples.

The ES111 features include:

- Travel range 125mm x 75mm
- 1µm resolution
- 5 µm repeatability
- Interchangeable sample holders
- High precision lead screw
- Anti-backlash mechanism
- Semi-adjustable limit switches

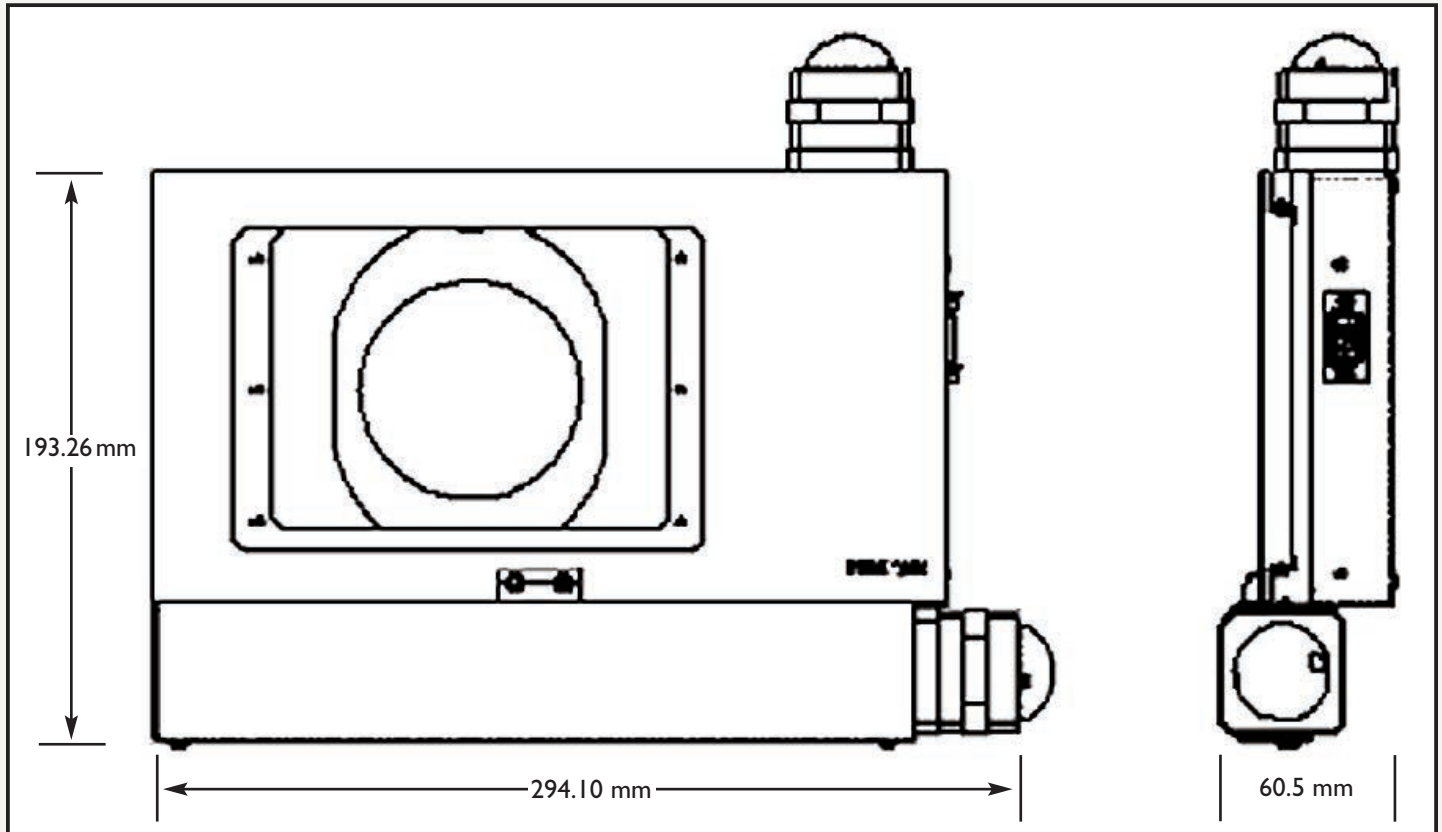
As an ISO 9001:2008 accredited company, Prior's equipment is designed and manufactured to the highest quality standards. Prior Scientific provides full support and service both direct and indirect through a professional, knowledgeable and extensive global dealer network.

General Specifications:

- Stage Dimensions: 294mm x 193mm x 60mm (WxDxH)
- Travel Range: 125mm x 75mm
- Speed Range: 8mm/s
- Minimum Step Size (Resolution): 1µm
- Drive Screws: Zero backlash, precision lead screw
- Repeatability: ± 5µm

ES111 OptiScan™ Upright Stage

125mm x 75mm Travel, Upright Microscope Stage for Transmitted and Reflected Light Applications*



OptiScan™ System Flexibility

Applications involving microscope automation vary widely. OptiScan™ was designed with this in mind and the result is the most flexible system commercially available. OptiScan™ components can be configured in many different ways which means that systems can be tailored to match your exact requirements. If your needs change you can rest assured that OptiScan™ offers a simple path to future upgrades.

