

E**STERILMATIC STERILIZER
(AUTOCLAVE)**JOB NAME: _____
ITEM NO.: _____
NO. REQUIRED: _____

- MODELS:** DOMESTIC FIXED TEMPERATURE
 STM-E (p/n 95-2678)
 DOMESTIC ADJUSTABLE TEMPERATURE
 STM-EL (p/n 95-3441)
 EXPORT FIXED TEMPERATURE
 STM-EX (p/n 95-2902)
 EXPORT LABORATORY ADJUSTABLE TEMP.
 STM-ELX (p/n 95-2903)

SIZE: 18-3/4" Wide x 27-5/8" High x 31" Deep
 (476mm Wide x 702mm High x 787mm Deep)

Optional tubular leg stainless steel stand with shelf. 27-1/2" High (699mm) - Overall Height of Sterilmatic with Stand is 56" High (1422mm)

DESCRIPTION:

Will be a Market Forge Electric Model _____ Automatic Steam Pressure Sterilmatic Sterilizer (Autoclave). The Sterilmatic is dependable, and ideally suited for laboratories, veterinary clinics, processing plants and more.

CYLINDER: Sterilizing cylinder will be 3/16" (4.8mm) thick welded aluminum. Sterilizer exterior is made of polished stainless steel. Interior dimensions of 16" (406mm) in diameter and 26" (660mm) long with a cubic content of 5,220 cubic inches (85 liters) and will have a door opening of 13-1/2" (343mm) wide and 11" (279mm) high. Sterilizing compartment will have a capacity of:

- o (3) 12" x 20" x 2-1/2" (305mm x 508mm x 64mm) or,
- o (2) 12" x 20" x 4" (305mm x 508mm x 102mm) or,
- o (1) 12" x 20" x 6" (305mm x 508mm x 152mm).

DOOR: The sterilizer door will be self-sealing type which cannot be opened until steam pressure is completely exhausted. Door will be 12 gauge stainless steel, removable for cleaning without tools. Door gasket will be one-piece molded, replaceable without tools or cement.

OPERATION: Sterilizing cycle will be fully automatic, time-controlled and have a built-in temperature control which provides 250°F (121°C). Model STM-EL has the additional feature of an adjustable temperature control that can be set anywhere from 230°-250°F (110°-121°C) range. All operating controls will be located at the top, front of the Sterilizer. Pressure will be automatically and quickly exhausted and power supply shut off at termination of cycle. Slow exhaust may be selected for sterilizing liquids.



STM-EL Shown on Optional Tubular Leg Stainless Steel Stand with Shelf

ELECTRICAL REQUIREMENTS: Unit will be rated at 12kW at 236V and will be equipped for operation at:

- 208-240V, 3 Wire, 1 Phase, 60 Hz
- 208-240V, 4 Wire, 3 Phase, 60 Hz
- 220V, 1 Phase, 50 Hz
- 220V, 3 Phase, 50 Hz

STANDARD FEATURES:

- Automatic temperature control
- Thermometer 180°-300°F (82°-149°C)
- Safety valve
- 0-30 lb. steam gauge
- 0-60 minute timer
- Low water cut-off
- Thermostatic steam trap
- Signal light
- Flat perforated steam baffle
- Removable pan supports
- Adjustable 4" to 6" bullet feet

OPTIONAL AT EXTRA COST:

- Sterilmatic tubular leg stainless steel stand with shelf
- Second shelf for tubular leg stainless steel stand
- Exhaust condenser (for condensing exhaust steam when unit cannot be vented to outside)
- Sterilmatic trays (stainless steel, one piece, round cornered)
Perforated trays available in the following sizes:
 - o 12" x 20" x 2-1/2" (holds 3 of this size)
 - o 12" x 20" x 4" (holds 2 of this size + one 2-1/2" tray)
 - o 12" x 20" x 6" (holds one of this size + one 2-1/2" tray)
- Sterilmatic wire basket (recommended for dressings)
Available in the following sizes:
 - o 12" x 20" x 2-1/2"
 - o 12" x 20" x 4"

The manufacturer reserves the right to modify materials and specifications without notice.

**Made in USA**

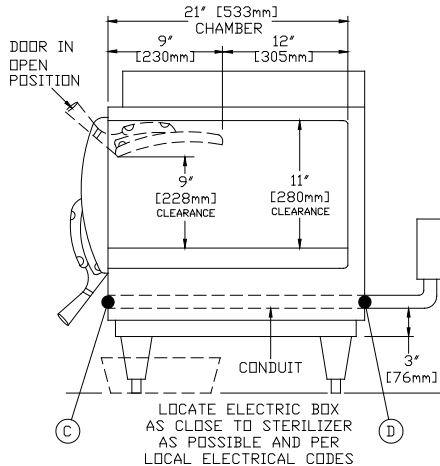
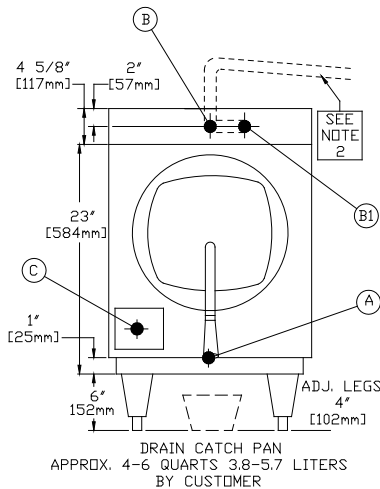
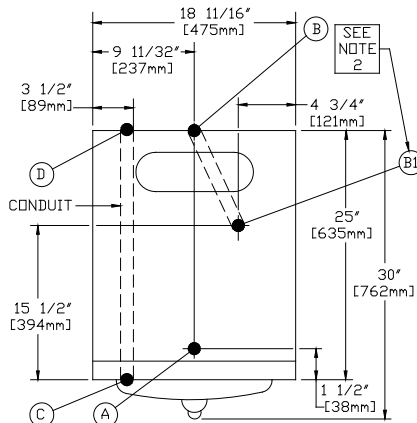
35 Garvey Street • Everett • MA • 02149-4403
 Tel: (617) 387-4100 • Toll Free: (866) 698-3188
 Fax: (617) 387-4456 (MA and Overseas) • Fax: (800) 227-2659 (Ex. MA)
 E-mail: custserv@mfii.com • www.mfii.com

SPEC SHEET: S-6049A
08/13

LABORATORY EQUIPMENT
Electric Sterilizer (Autoclave)

E**STERILMATIC STERILIZER
(AUTOCLAVE)**

DETAILS & DIMENSION

**REQUIRED CONNECTIONS:**

A	Drain - 1/2" (13mm) N.P.T. of 5/8" (16mm) OD copper (see note 1)
B	Steam Exhaust Connection - 3/8" (10mm) IPS (see note 2)
C	Electrical Connection - (*see table below)
D	Power Supply

***AMP/PHASE**

DOMESTIC MODELS	kW	Hz	Single Phase		Three Phase	
			208V	240V	208V	240V
STM-E(EL)	9.3	60	45A	-	26A	-
	12.4	60	-	52A	-	30A

EXPORT MODELS	kW	Hz	Single Phase		Three Phase	
			220V	240V	220/380V	240/415V
STM-EX (ELX)	10.4	50	48A	-	16A	-
	12.4	50	-	52A	-	18A

- **UNIT MUST BE GROUNDED.**
- **MAIN SUPPLY VOLTAGE FLUCTUATIONS ARE NOT TO EXCEED ± 10% NOMINAL SUPPLY VOLTAGE**

NOTES:

1. An air break must be provided if a unit drain line is run.
2. Vent exhaust to atmosphere. B1 is actual connection, but must exit casing at B.

IMPORTANT: Exhaust line must be vented to the outside to eliminate the exhaust steam and the accompanying noise from entering the room. Use 1/2" (13mm) copper tubing or suitable alternate. The overall height and length of the line should not rise more than 4' (1.2 meters) above the unit and exceed 15' (4.5 meters) with a minimum of bends. The line should slope downward after leaving the sterilizer in order to ensure condensate drainage.

IMPORTANT: Failure to comply with this outline will affect the sterilization process.

When an exhaust condenser is supplied; the following services must be provided: 1/2" (13mm) IPS cold water: 1" (25mm) IPS waste: 115V electrical line.

It is our policy to build equipment which is design certified by U.L., C.S.A. & N.S.F. However, a continuing program of product improvement makes it necessary to submit new models to the agencies as they are developed and consequently not all models bear the appropriate agency labels at all times.

SPEC SHEET: S-6049A
08/13

LABORATORY EQUIPMENT
Electric Sterilizer (Autoclave)



PRINTED IN U. S. A.



35 Garvey Street • Everett • MA • 02149-4403
Tel: (617) 387-4100 • Toll Free: (866) 698-3188
Fax: (617) 387-4456 (MA and Overseas) • Fax: (800) 227-2659 (Ex. MA)
E-mail: custserv@mfii.com • www.mfii.com